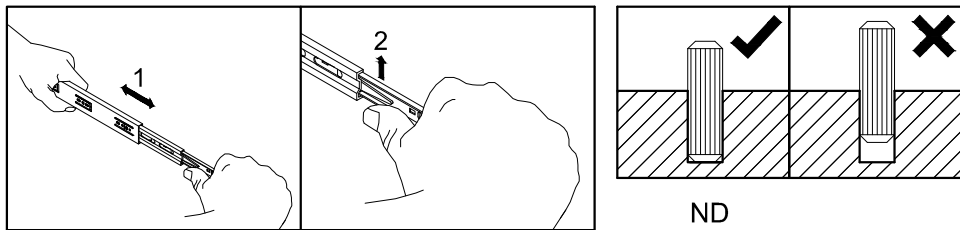


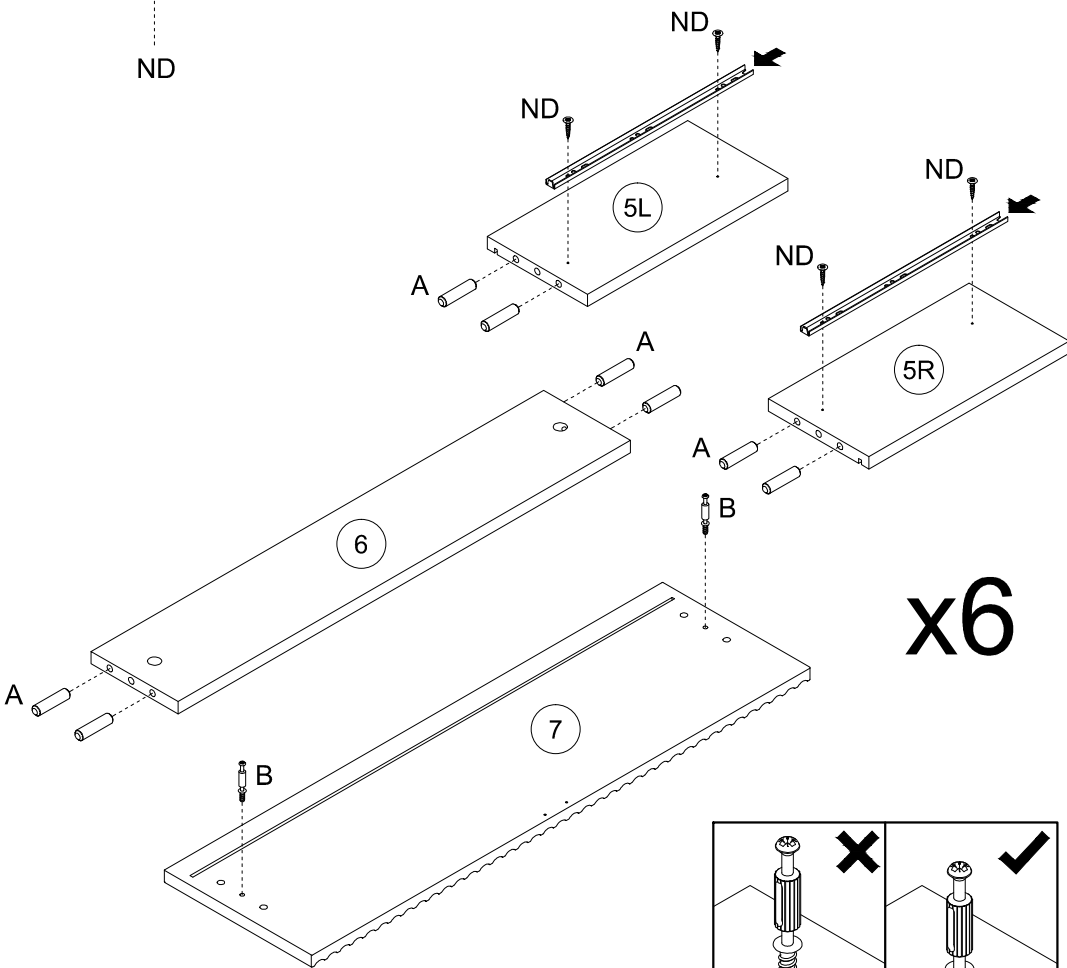




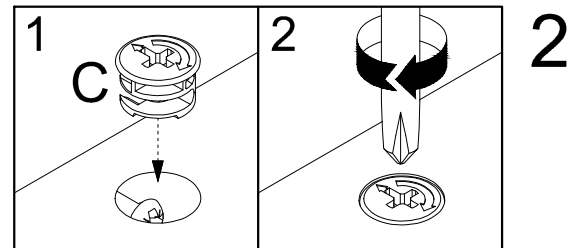
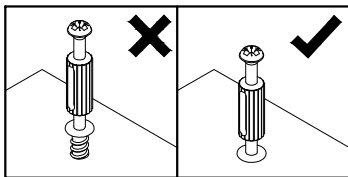
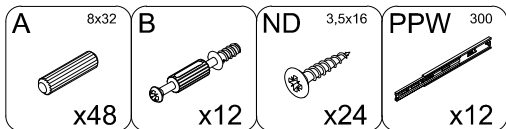
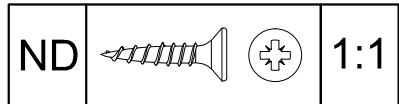
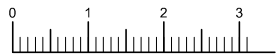
1



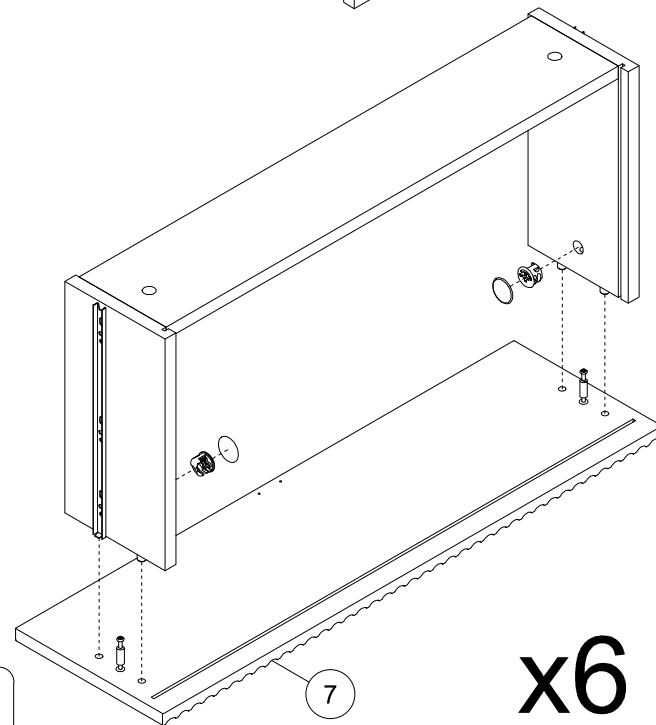
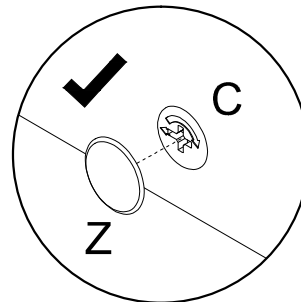
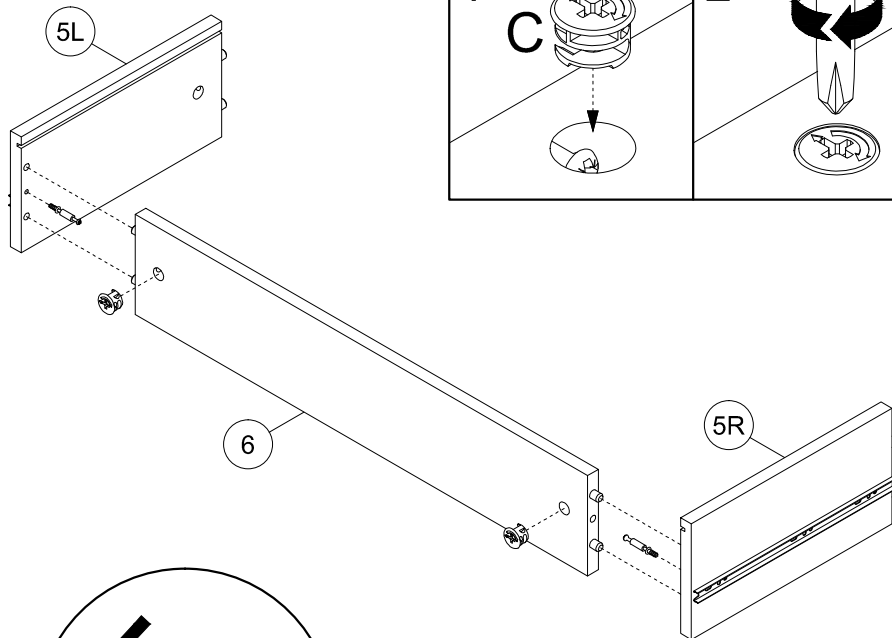
ND



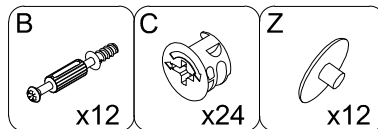
x6



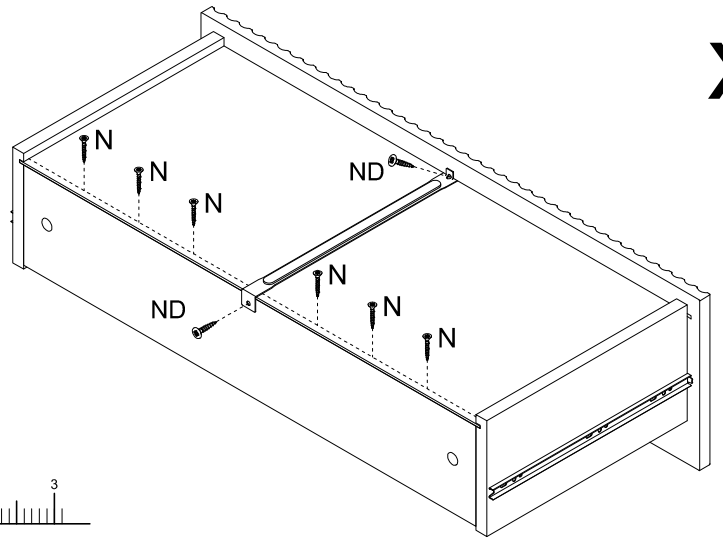
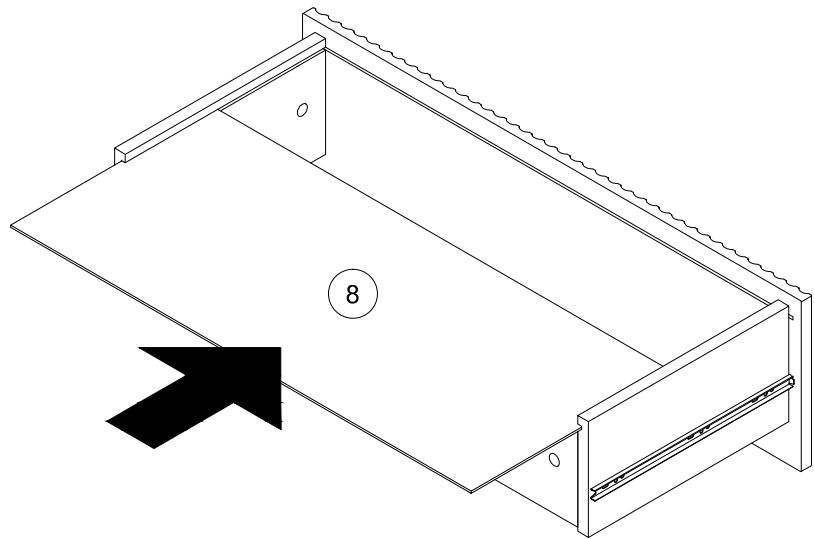
2



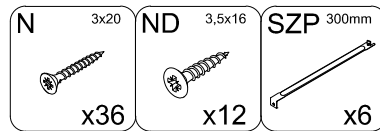
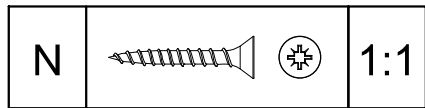
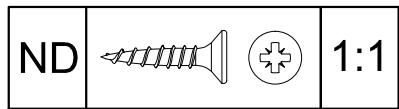
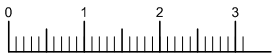
x6



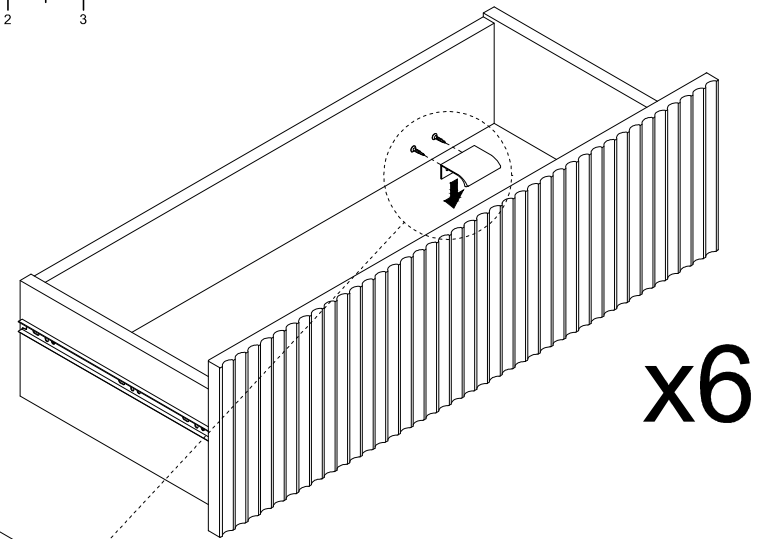
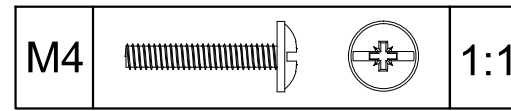
3



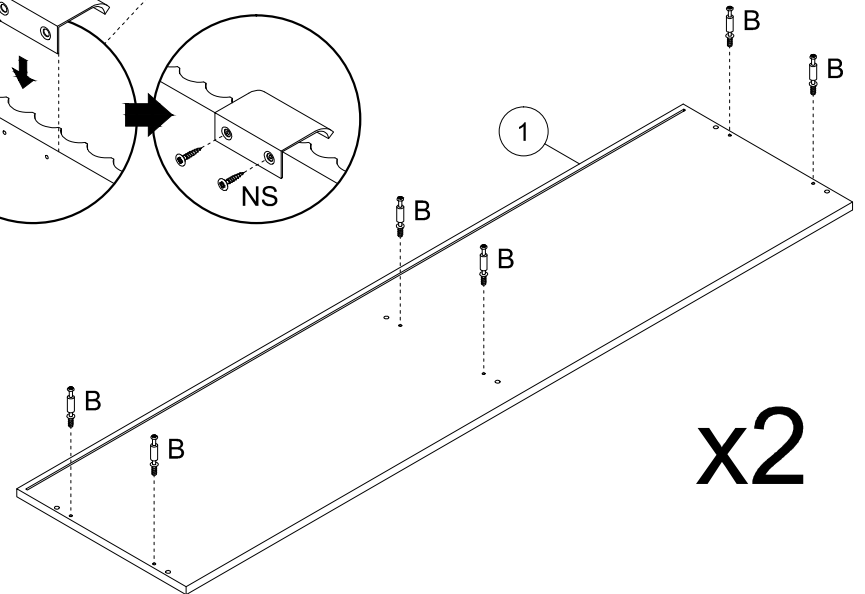
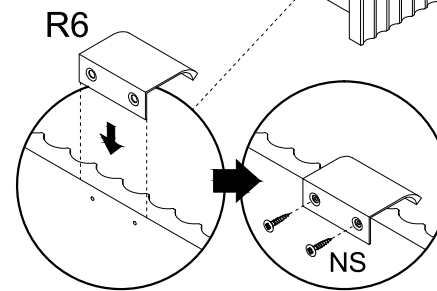
x6



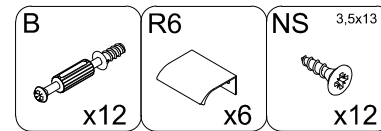
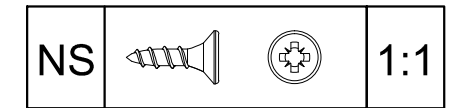
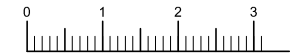
4



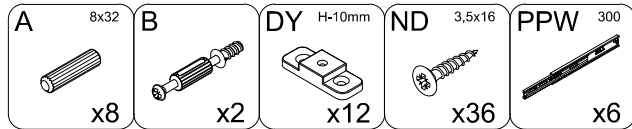
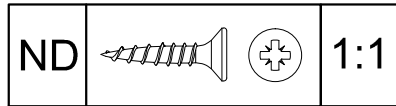
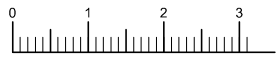
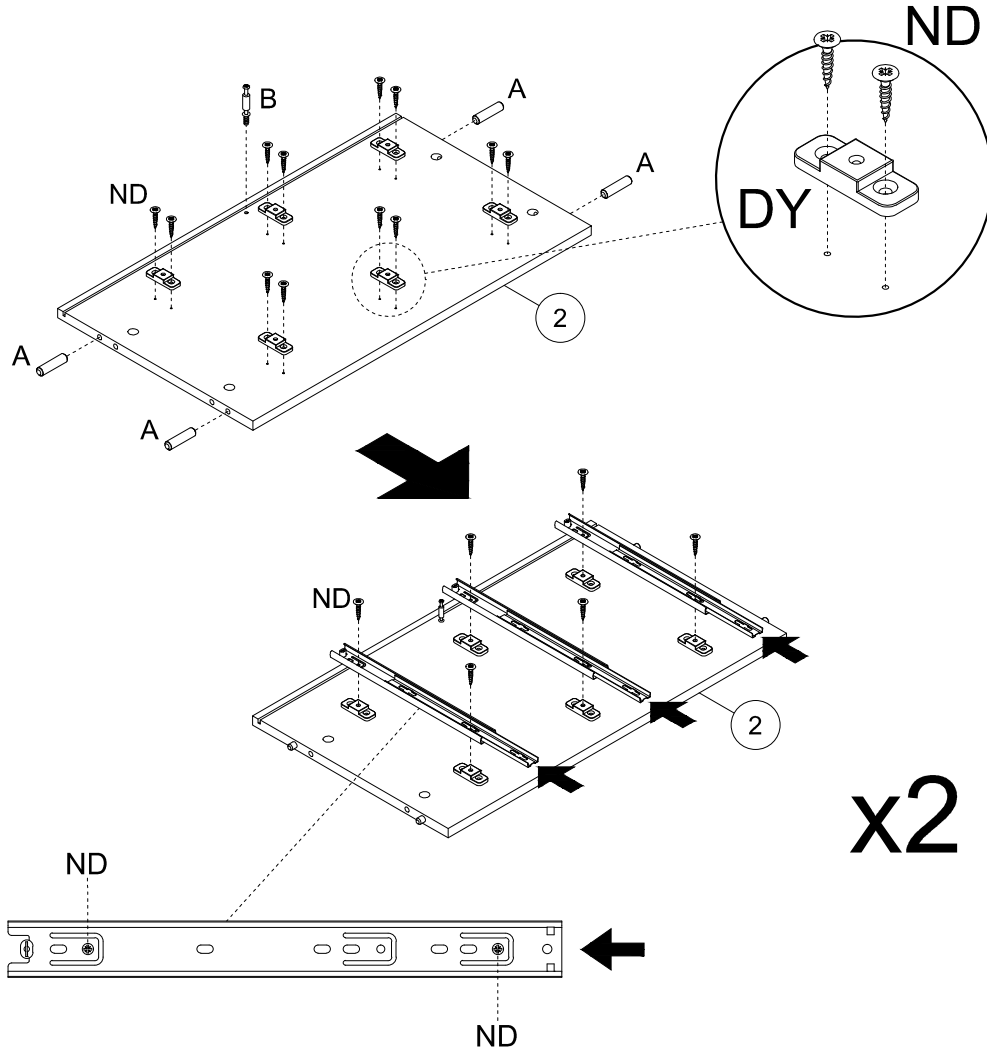
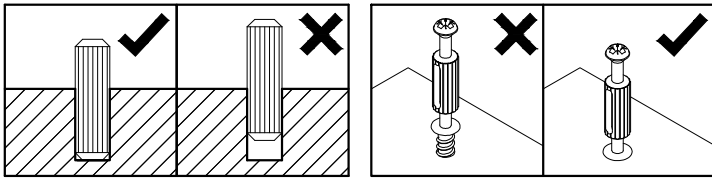
x6



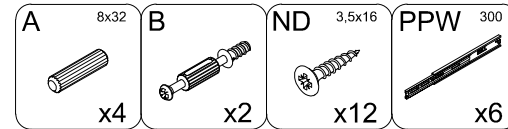
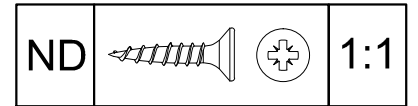
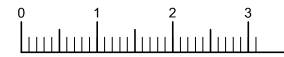
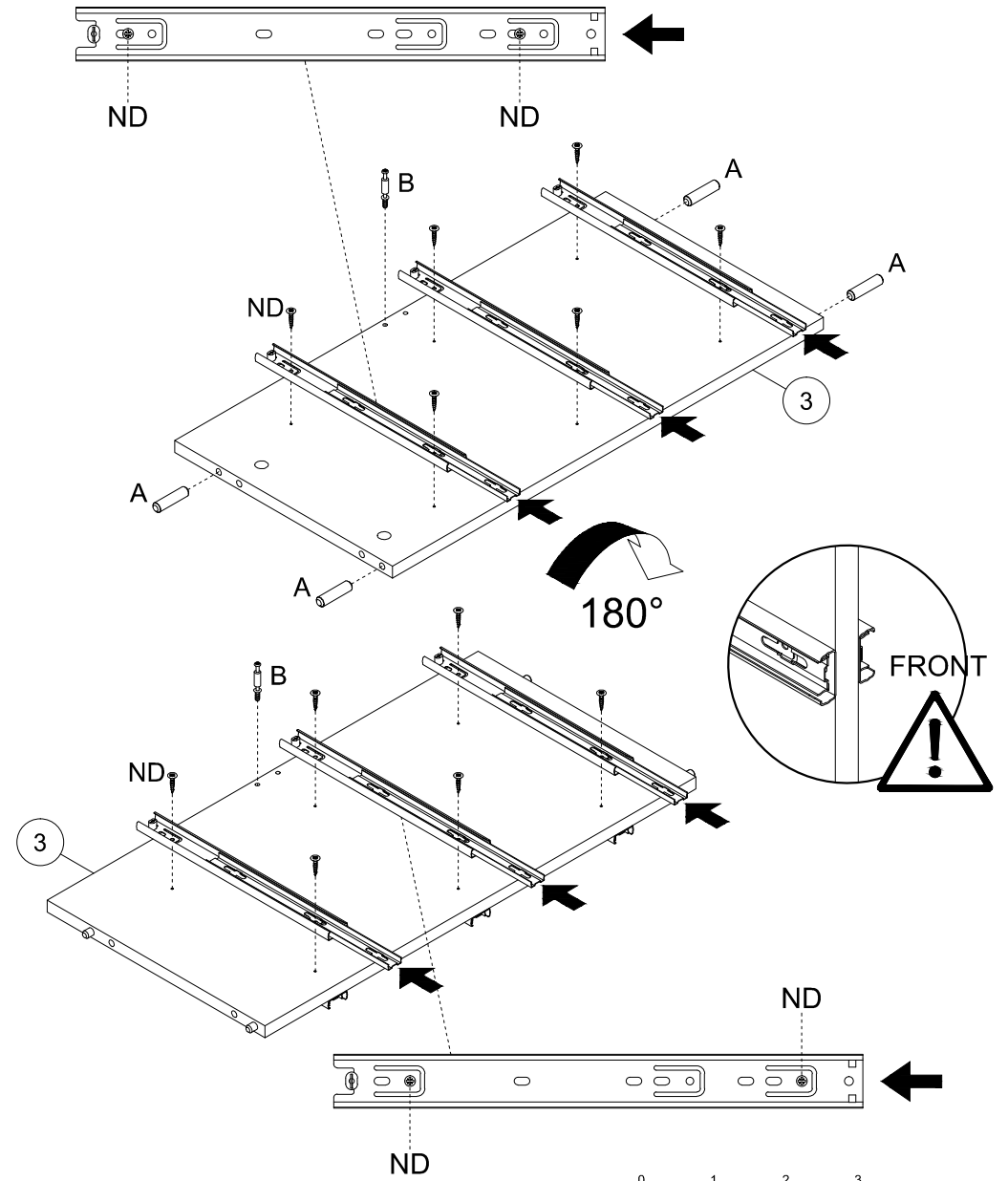
x2



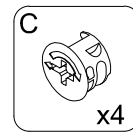
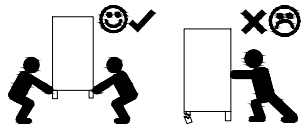
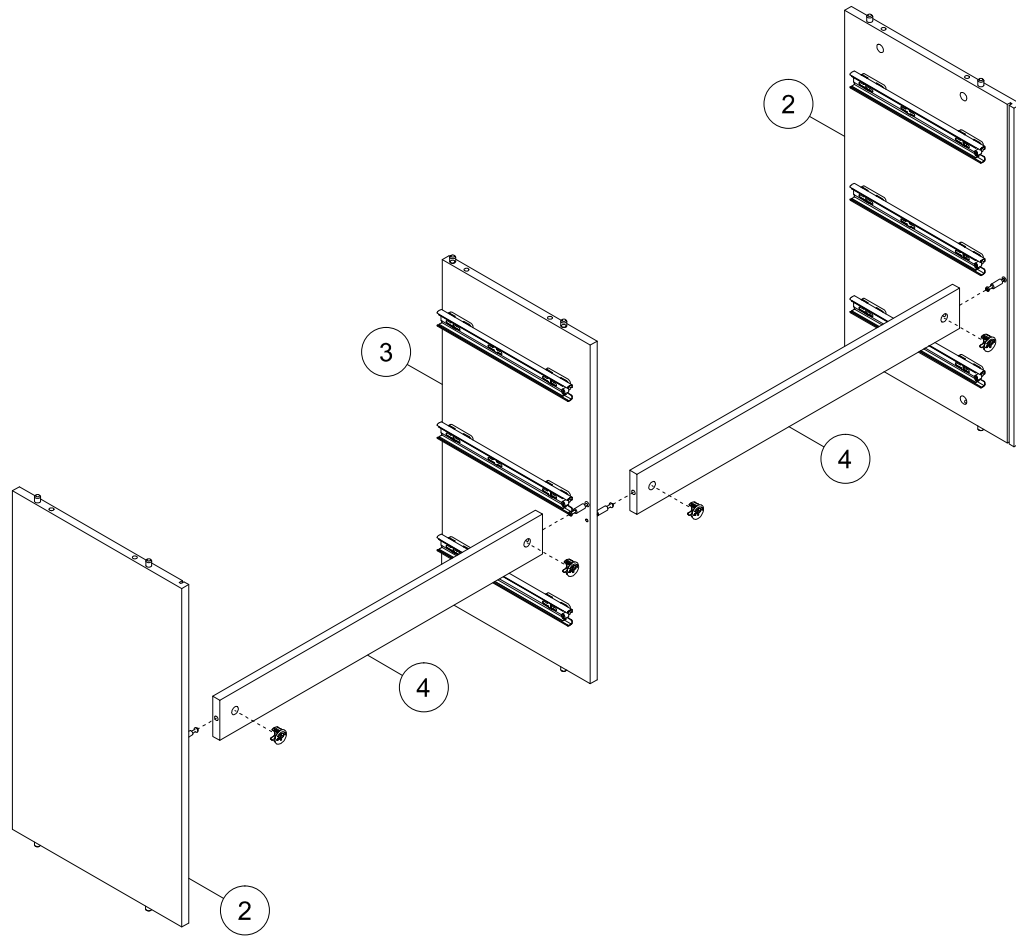
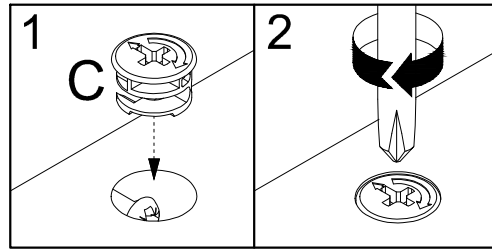
5



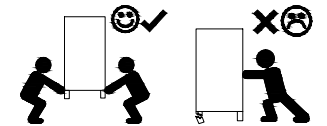
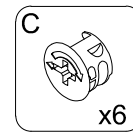
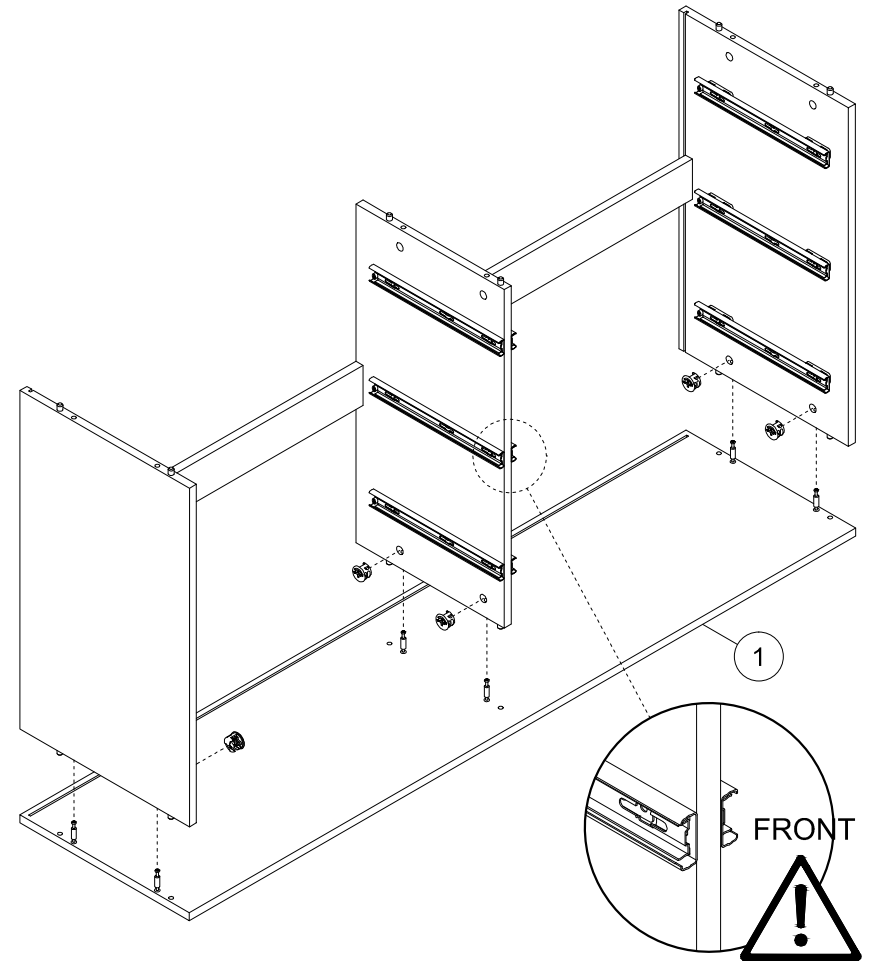
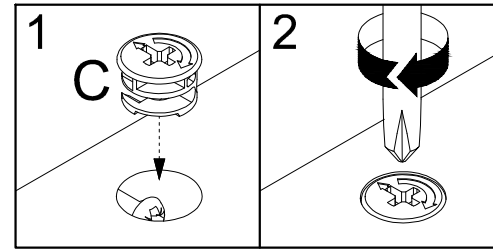
6



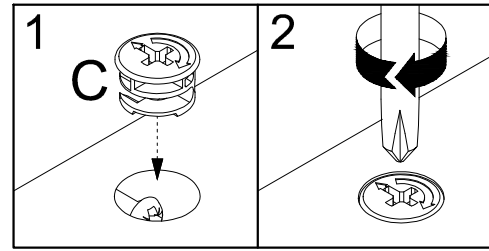
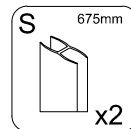
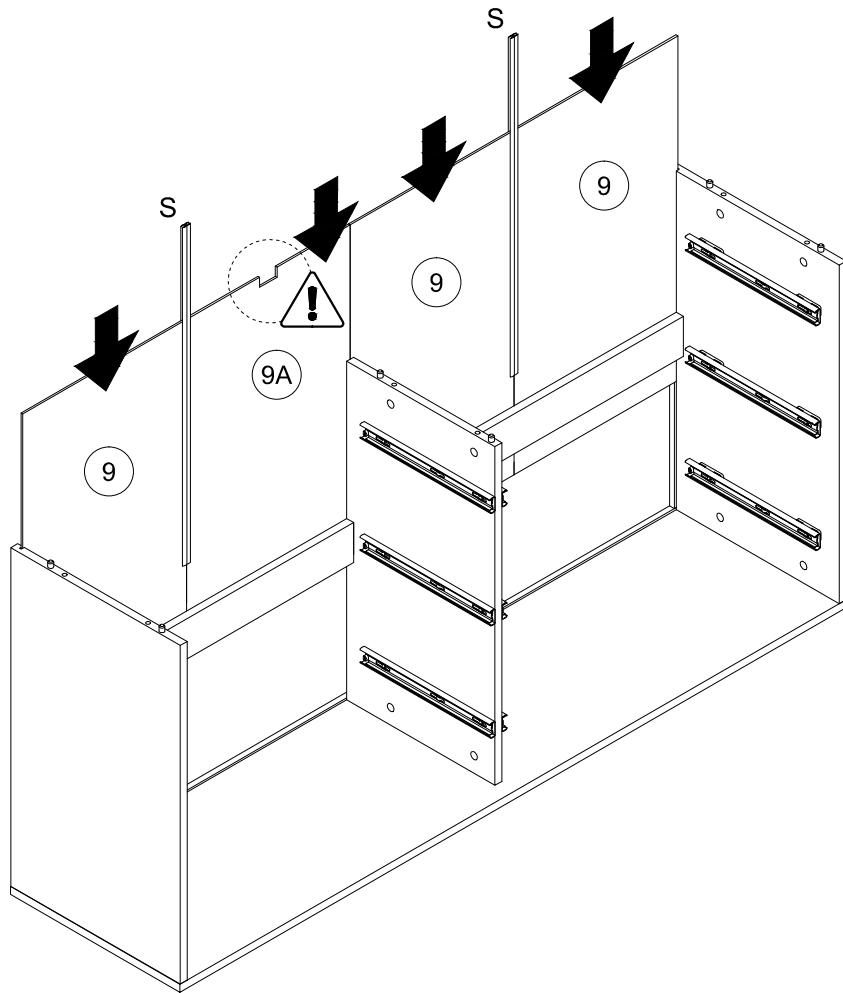
7



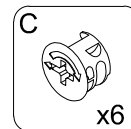
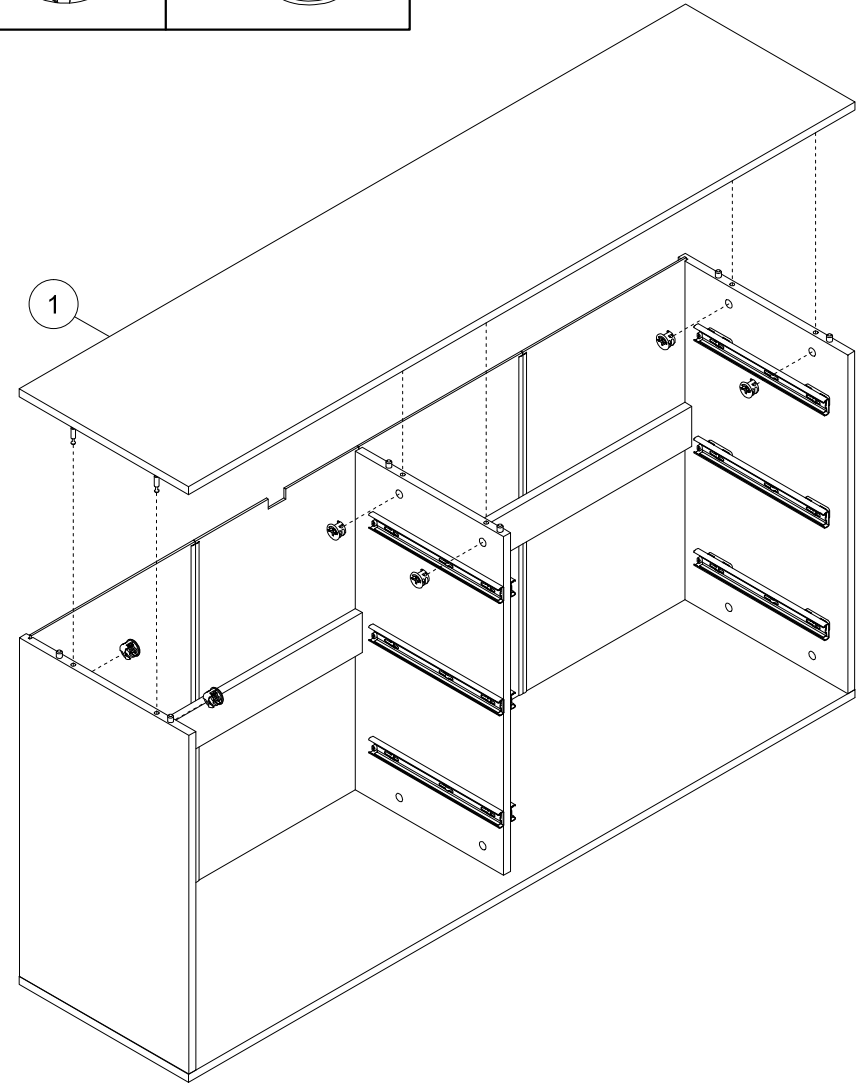
8



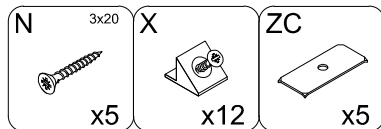
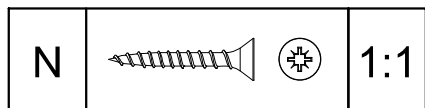
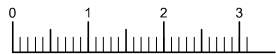
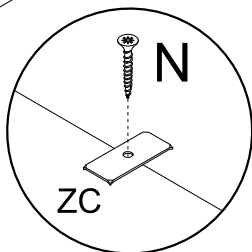
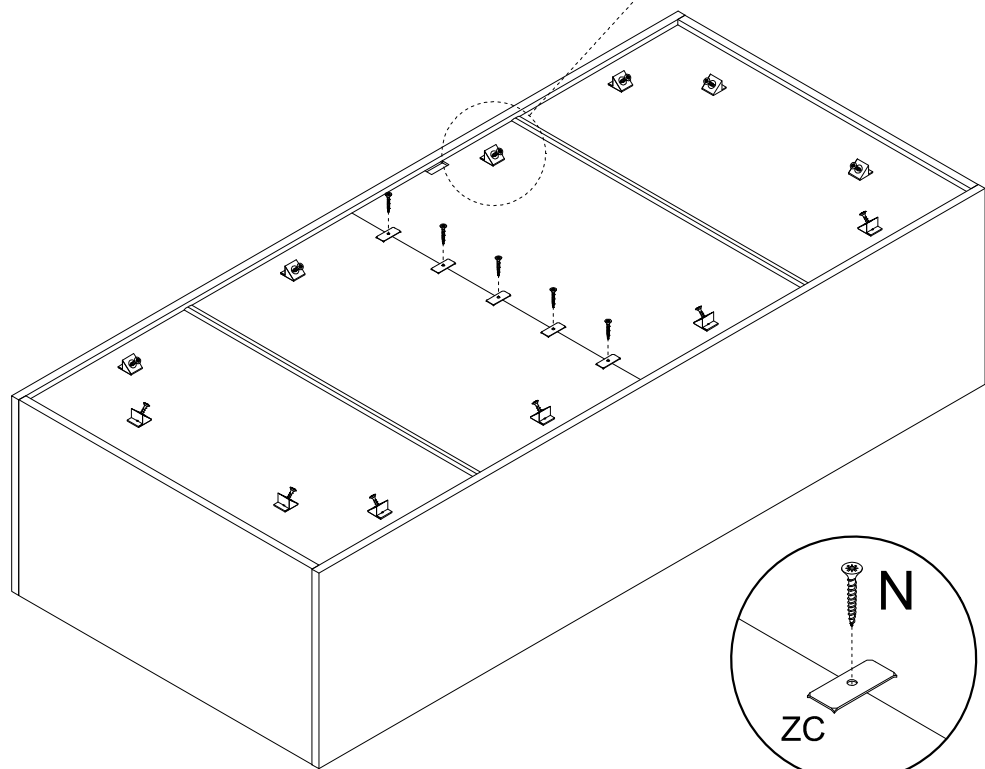
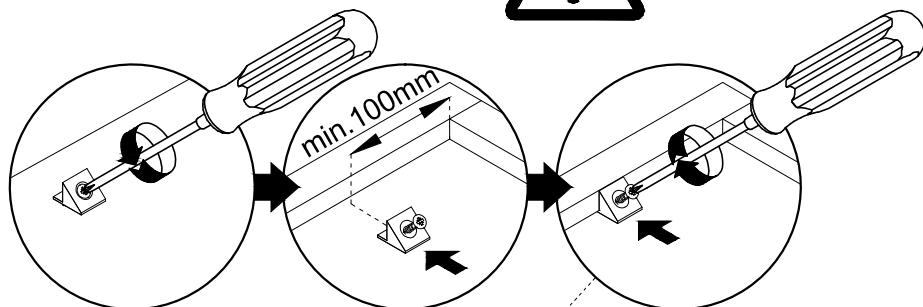
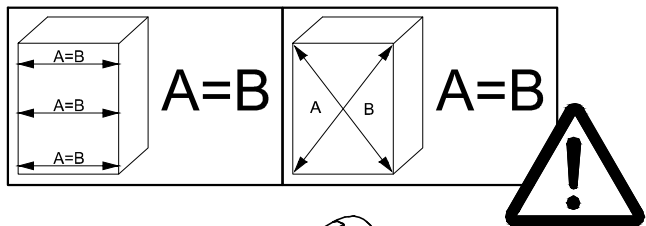
9



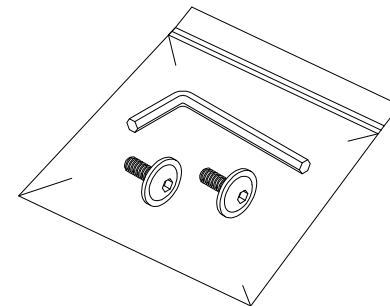
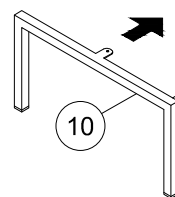
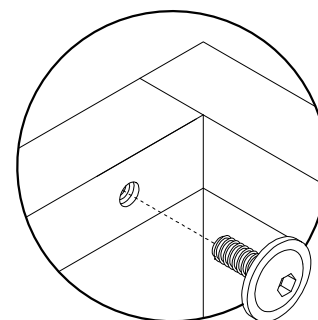
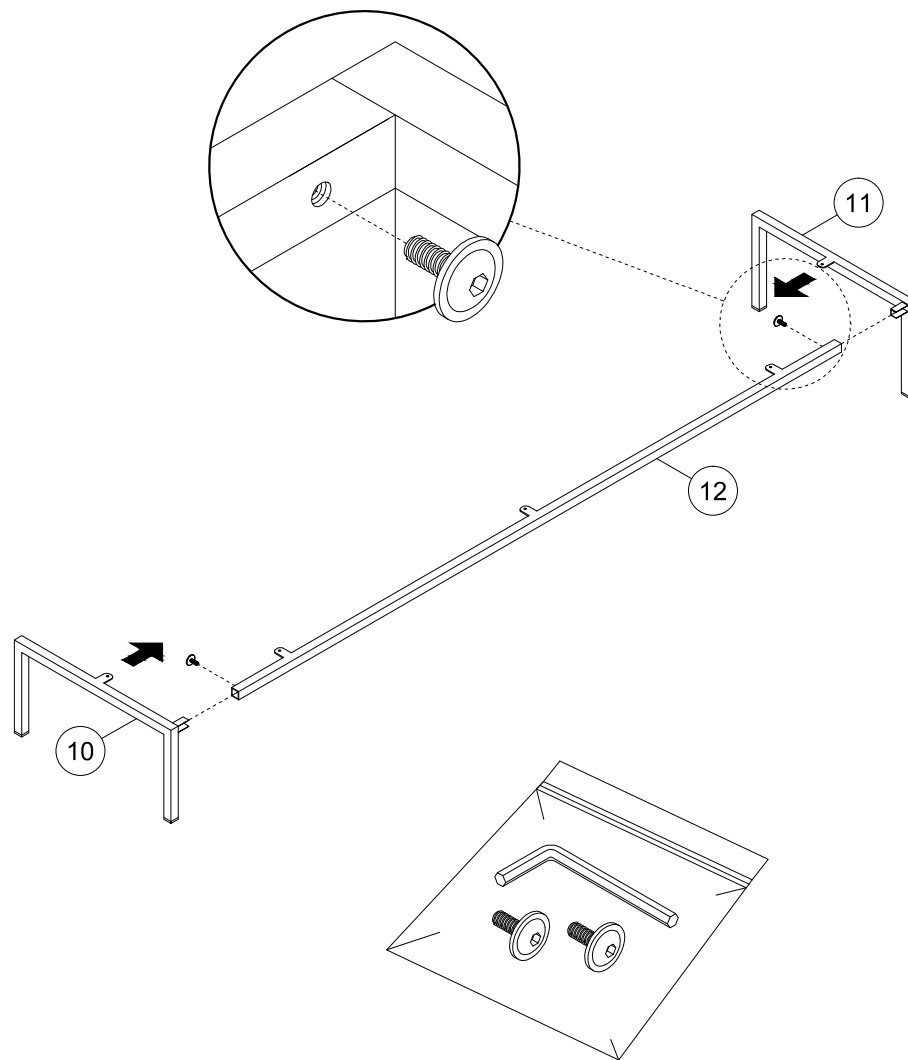
10



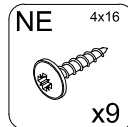
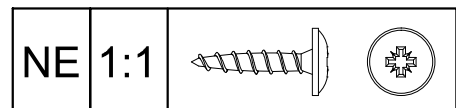
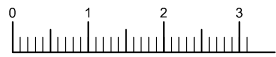
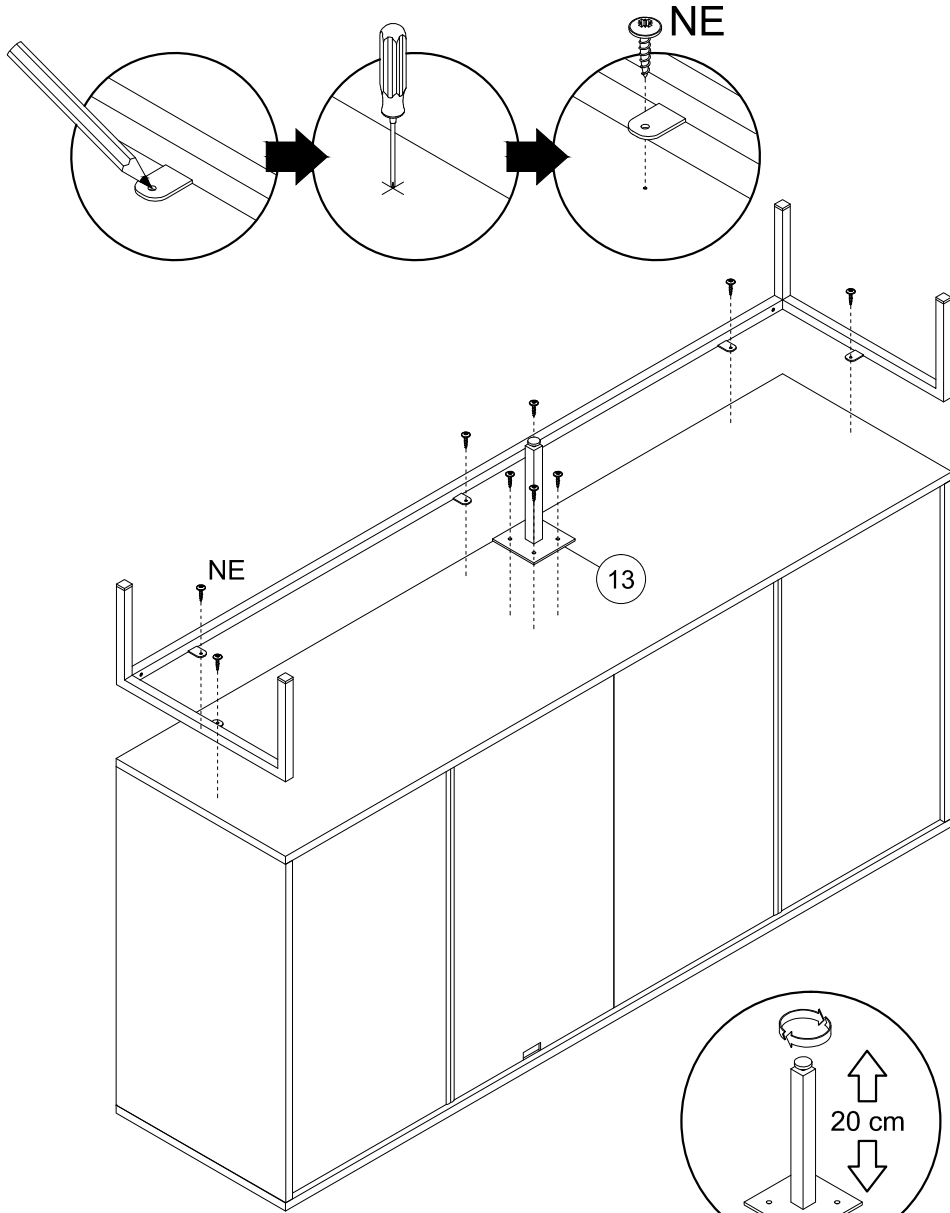
11



12



13



14

